

IDK180 - Microwave (Doppler) Occupancy sensor

The IDK180 is a Wall Mounted Microwave Occupancy Detector, for indoor use.

Simple to install and to use with 180 detection range for small and large rooms, halls or corridors.



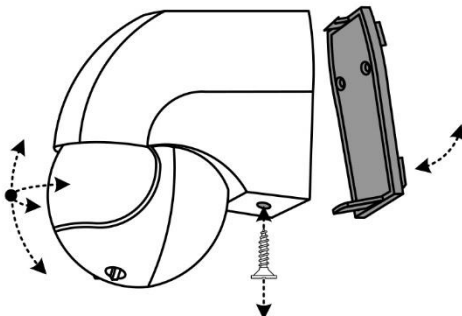
Features & Benefits

- 180° detection range.
- Coverage: 25 Sgr.M
- Adjustable sensitivity (by knob) between low and high detection sensitivity
- Safe for use. Very low transmission power. Tested at the SII (Standards Institution of Israel)
- Normally open

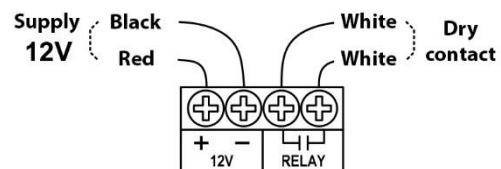
Technical specifications

- Supply voltage - 12VDC \pm 15%, 50mA
- Transmission Power: <10mW
- HF System: 5.8GHz CW radar, ISM band
- Detection Distance: 1-8m
- Detection Range: 180°
- Cut-off delay: 10sec.~30min. – adjustable
- Polarity: Normally open
- Sensing indicator: Red LED (can be cancelled)
- Dimensions: Height 80mm width 90mm
- Color: white

Wiring diagrams



Dimensions



The performance specifications are nominal and conform to acceptable industry standards. For applications at conditions beyond these specifications, consult the local Meitav-tec office or representative. Meitav-tec shall not be liable for damages resulting from misapplication or misuse of its products.

This document is subject to change without any notice.

© Copyright 2021 Meitav-tec Ltd'. All rights reserved.